

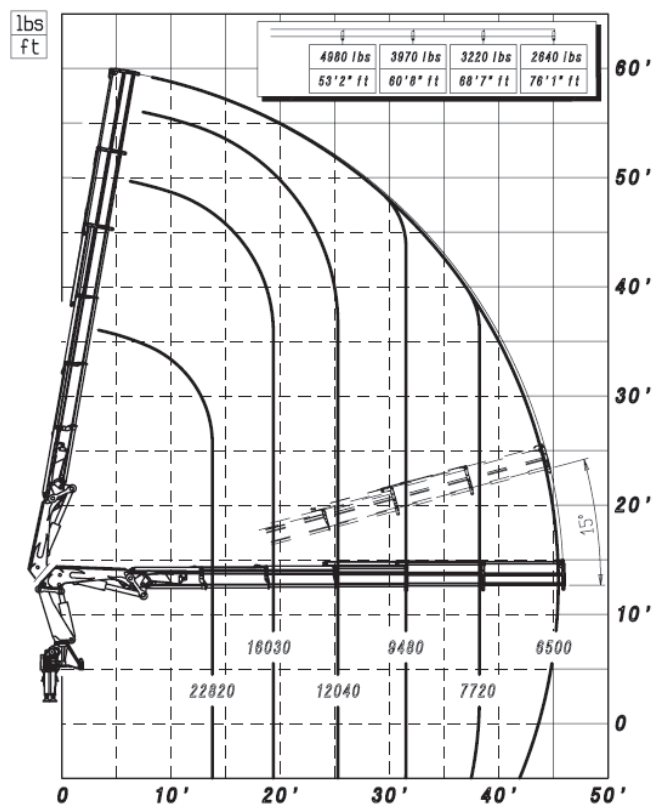
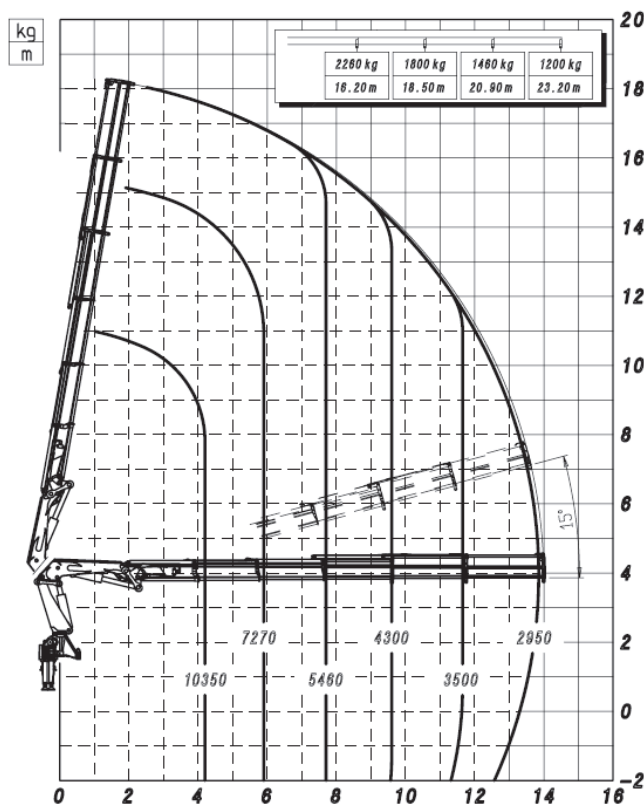
# PM 50.5 SP



truck mounted cranes

## PM 50525 SP

Gold Series




### TECHNICAL DATA PM 50525 SP

Maximum lifting moment	tm 43,5	Ft lbs 314420
Hydraulic outreach		
Horizontal	m 14	Ft 45'11"
Vertical	m 18,45	Ft 60'6"
Hydraulic system		
Max. oil flow	l/min 80 ÷ 100	(USA) 21 ÷ 26
Max. pressure	Mpa 34,5	Psi 5000
Oil tank capacity	l 200	(USA) 53
Slewing system		
Slewing angle	395°	395°
Slewing torque	kNm 53	Ft lbs 39090
Max. working heel	%(°) 8,7(5)	%(°) 8,7(5)
Standard crane weight		
Empty oil tank	Kg 4855	lbs 10705

### TRUCKING CRANE COMBINATION

PTT/GVW	50,5	4	4 outriggers
26,0 TON	4		
32,0 TON	4		



GVW: Gross Vehicle Weight

TECHNICAL DATA, DESCRIPTIONS AND ILLUSTRATIONS ARE MERELY INDICATIVE AND NOT BINDING. PM GROUP RESERVE THE RIGHT TO UPDATE THEM WITHOUT NOTICE.